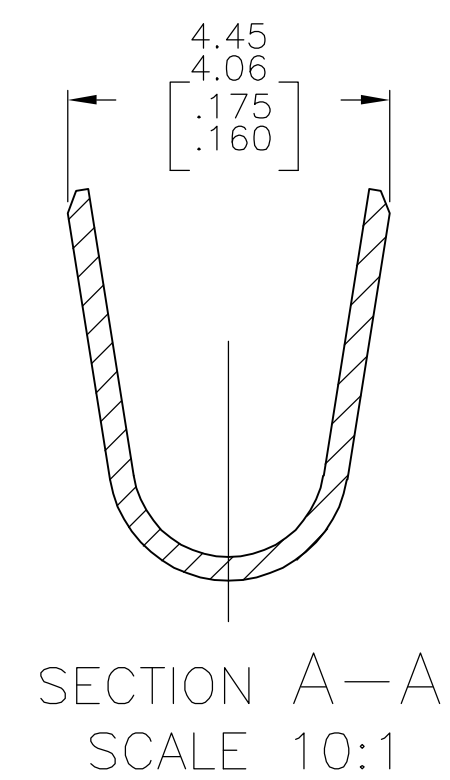
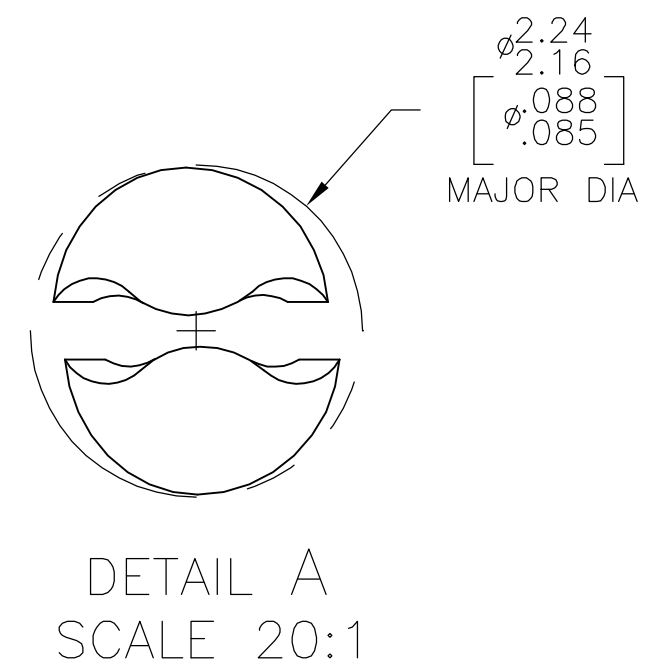
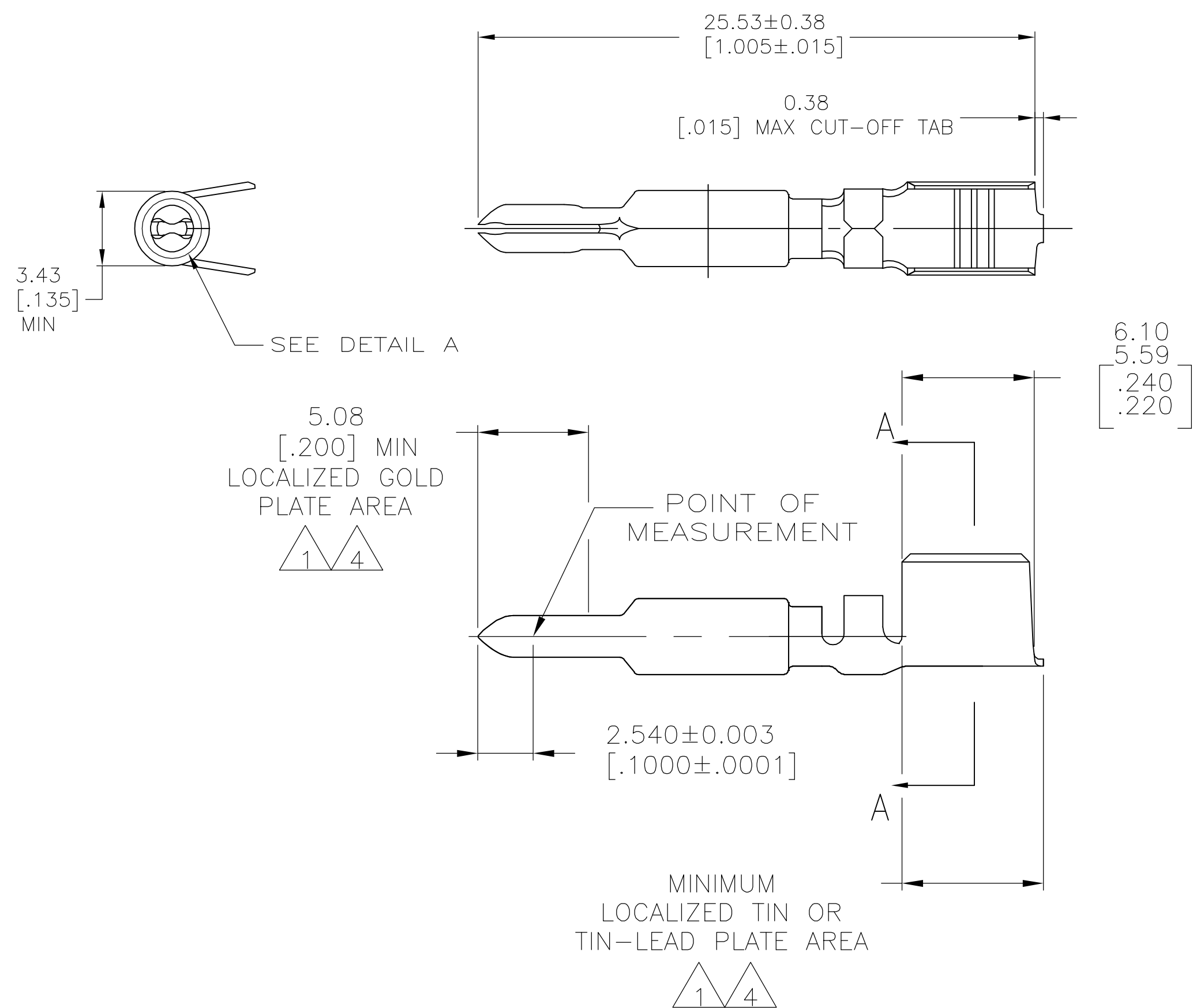


THIS DRAWING IS UNPUBLISHED. RELEASED FOR PUBLICATION
 © COPYRIGHT BY TYCO ELECTRONICS CORPORATION. ALL RIGHTS RESERVED.

LOC		DIST		REVISIONS			
P	LTR	DESCRIPTION		DATE	DWN	APVD	
CM	00	H		EC 0G3B 0215 05	22SEP05	BSV RCJ	

- 0.00076[.000030] MIN GOLD AT POINT OF MEASUREMENT IN THE LOCALIZED GOLD PLATE AREA, 0.00127[.000050] MIN TIN-LEAD IN TIN-LEAD PLATE AREA, 0.00127[.000050] MIN NICKEL UNDERPLATE ON ENTIRE CONTACT.
- WIRE RANGE: 3-6mm² [12-10 AWG].
- DIMENSIONS IN BRACKETS ARE IN INCHES.
- 0.00076[.000030] MIN GOLD AT POINT OF MEASUREMENT IN THE LOCALIZED GOLD PLATE AREA, 0.00127[.000050] MIN. TIN IN TIN PLATE AREA, 0.00127[.000050] MIN. NICKEL UNDERPLATE ON ENTIRE CONTACT.
- THIS CONTACT HAS NO INSULATION BARREL.



FINISH	MATERIAL	PART NUMBER
GOLD $\Delta 1$	0.30 [.012] PH BRZ	1-770246-0
GOLD $\Delta 1$	0.30 [.012] PH BRZ	770246-4
PRE-TIN	0.30 [.012] PH BRZ	770246-3

THIS DRAWING IS A CONTROLLED DOCUMENT.		DWN K. WHITAKER 02APR04	Tyco Electronics Corporation Harrisburg, PA 17105-3608	
DIMENSIONS: mm [INCHES]		CHK C. JONES 02APR04	NAME PIN, LOOSE PIECE, UNIVERSAL MATE-N-LOK(TM) II	
TOLERANCES UNLESS OTHERWISE SPECIFIED:		APVD C. JONES 02APR04	SIZE A2	
0 PLC	± -	PRODUCT SPEC	CAGE CODE 00779	DRAWING NO C=770246
1 PLC	± -	APPLICATION SPEC	WEIGHT	RESTRICTED TO
2 PLC	± -			
3 PLC	± -			
4 PLC	± -			
ANGLES	± -			
MATERIAL			SCALE 5:1	SHEET 1 of 1
				REV H

METRIC